

Touring Products Meat Racks

TSG TOURING



TSG Meat Racks are part of the TSG Touring range. They are a modular and flexible system for hanging fixture inside a flexible dolly system that can be used in a roll on or hanging scenario.

Each Meat Rack come with 6 adjustable bars, but you can add more, or take out bars at your leisure, and with 3 different positions within the depth of the rack, this gives a highly flexible solution to suit your needs.

The Meat Rack follows the same design principles as the TSG Drop Ladder System and all the accessories are interchangeable.

Key points are as follows.

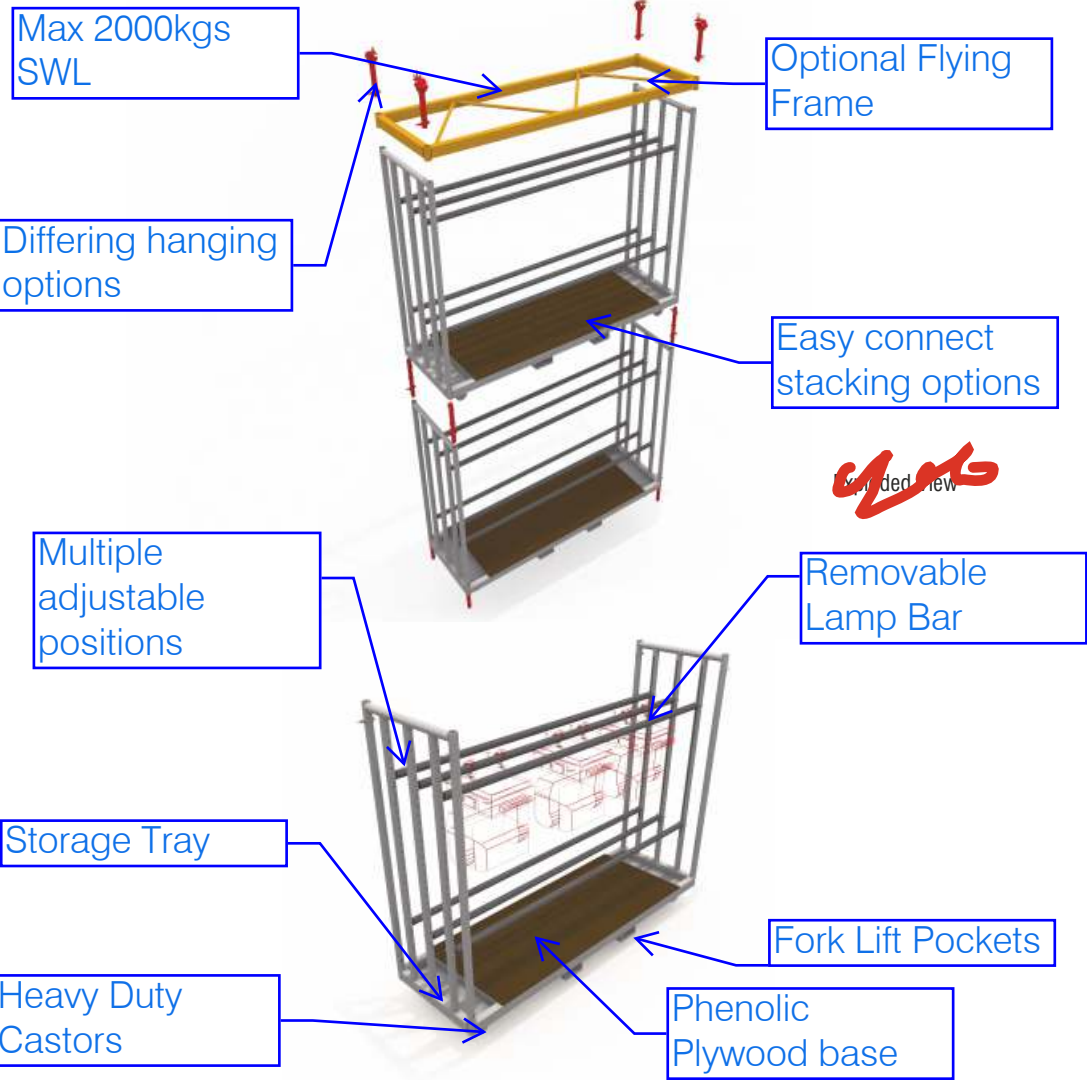
Meat Racks.

- 2mts long to allow for spinning in a truck.
- Available in two different widths as standard, 0.76mt and 1.05mt.
- Racks can take any number of adjustable bars, within reason.
- Racks can be easily converted to flying version by the addition of the flying frame.
- Multiple Racks can be flown a top of each other.
- Ladders are open ended to afford maximum space for hanging fixtures.
- Robust 100mm dia castors.
- Each Rack has a maximum flown capacity of 450kgs with a maximum stack of 4 racks giving a maximum total load of 1800kgs.

All items are powder coated black as standard.

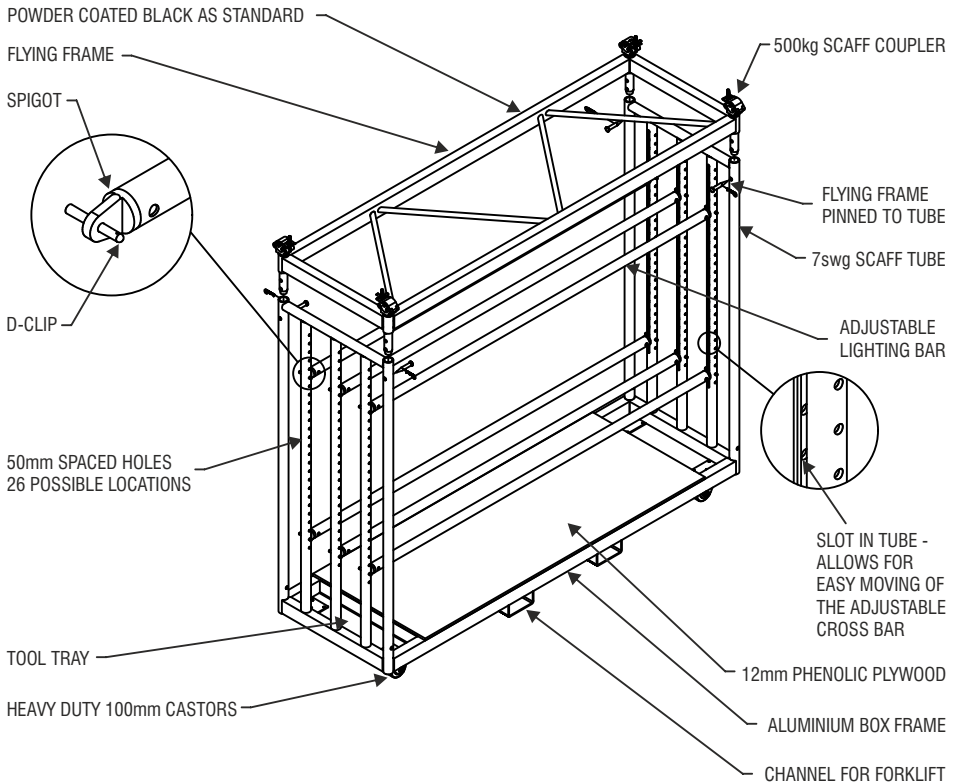
Touring Products Meat Racks

TSG TOURING



Touring Products Meat Racks

TSG TOURING



Touring Products Meat Racks

TSG TOURING

Material Specifications

Main Cord:	48.4mm x 4.47mm
Braces:	NA
Material Specifications:	EN AW-6082 T6
Fixings:	Fork End : TFT pins & R3 Clips

Item Codes, Weights and Dimensions

MR200F-105-6	Meat Rack Flying 200cm x 105cm inc 6 adjustable bars	2000mm x 1052mm x 1966mm	58 kg
MR200F-105-FF	Meat Rack Flying 200cm x 105cm - Flying Frame	2000mm x 1052mm x 100mm	16 kg
MR200F-76-6	Meat Rack Flying 200cm x 76cm inc 6 adjustable bars	2000mm x 760mm x 1966mm	53 kg
MR200F-76-FF	Meat Rack Flying 200cm x 76cm - Flying Frame	2000mm x 760mm x 100mm	14 kg
MRAB200	Meat Rack Adjustable Bar 200cm	1985mm x 48.4mm x 48.4mm	4 kg

Design Specification

Manufactured in accordance with

BS EN 1090-3:2008 : Technical Requirements for aluminium structures

EN ISO 9001:2015 : Quality management systems

BS EN 1999 Pt 1-1 : Design of Aluminium Structures, General structural rules

EN17115: Entertainment Technology : Specifications for design, manufacture of aluminium and steel trusses and towers