

Roofs Mega Arch

TOTAL
FABRICATIONS



The Mega Arch, from TSG, is structural ladder technology like no other. The system simply comprises of a series of configurable ladders and node posts. The node posts can be altered to provide differing angles and thus altering the shape and size of the system.

The system can easily span up to 65mts whilst still giving a capacity of 7 tonnes per arch. Too increase the capacity you can simply double up the ladders.

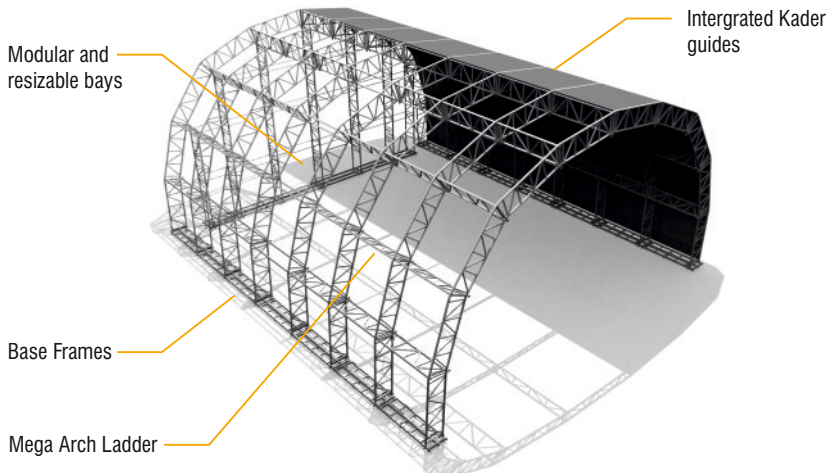
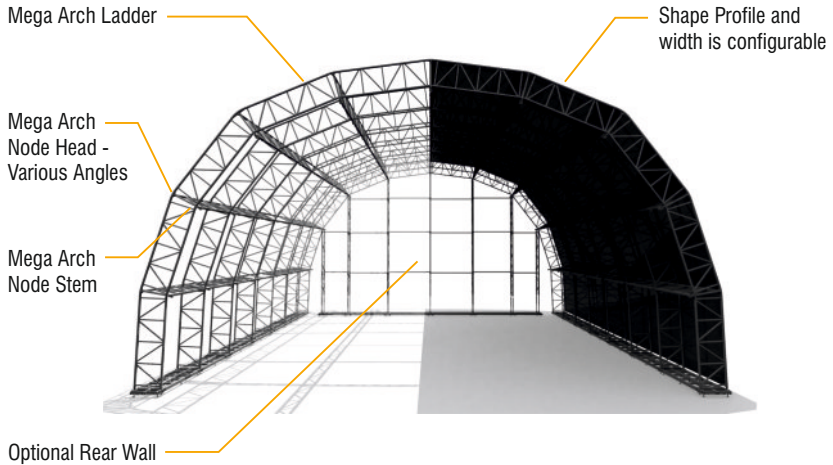
Bay sizes can vary from 1mt through to 6mt wide and the length of the system is theoretically endless but systems are out there that are over 120mt long.

As everything flat packs then transport costs are kept relatively low, and the components are designed to fit into a sea freight container in the most efficient way possible.

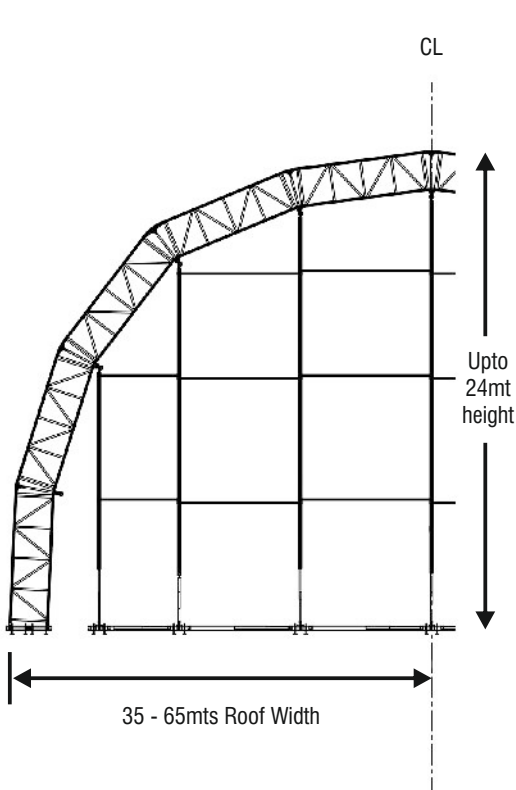
Highlights of the Mega Arch systems are such,

- Can span 65mts
- Fast build compared to Steel equivalents.
- Compact transport packs
- Configurable sizes and shapes
- Integrated kadeer system, for covers.

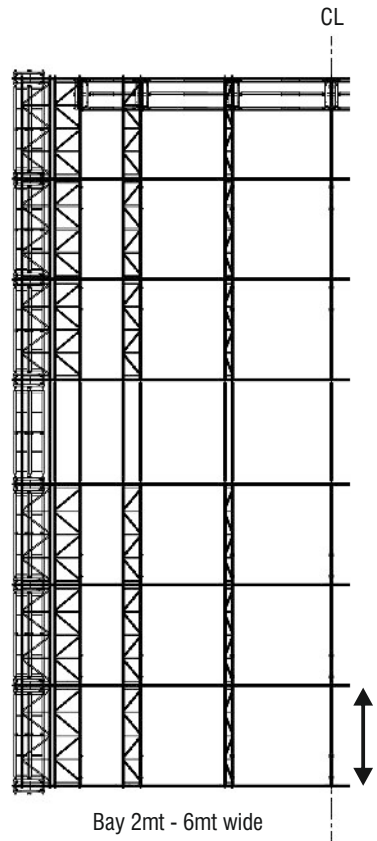
Roofs Mega Arch



Roofs Mega Arch



Half Elevation



Half Plan view

Roofs Mega Arch



Material Specifications

Mast Type:	N/A
Material Specifications	EN AW-6082 T6
Fixings	Fork End : MABC pins & MABC-EN
Roof Capacity	Nominal 30,000Kgs - 120,000Kgs
Available Widths	36Mts - 72Mts
Max. Trim Height	24Mts *
Kader Profile?	Yes
Wall System Available?	Intergrated
End Walls Available?	Yes - Option

Available Options - Ladders

DbI runs of ladders	Increase bay load capacity	Arch capacity x 2
Bay	Infinite number of bays allowed	
Bay	Variable width bays	

Available Options - Angled Nodes

Mega Arch Nodes	Angle changes from zero to 30degs	0 - 30 deg
-----------------	-----------------------------------	------------

Design Specification

Manufactured in accordance with

BS EN 1090-3:2008 : Technical Requirements for aluminium structures

EN ISO 9001:2015 : Quality management systems

BS EN 1999 Pt 1-1 : Design of Aluminium Structures, General structural rules

EN17115: Entertainment Technology : Specifications for design, manufacture of aluminium and steel trusses and towers

- All loads are given in Kilograms
- Allowance has been made for self-weight of truss
- The payload of the Roof has been calculated as a permanent action. Should it be necessary to consider the payload as a variable action, the tabulated figures should be reduced to 90% of the given values

* NOTE: Height to the centre of the arch