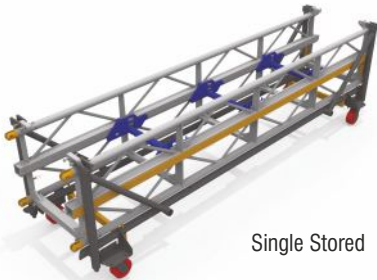
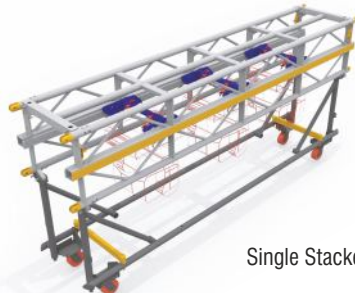


## Touring Products TML Truss

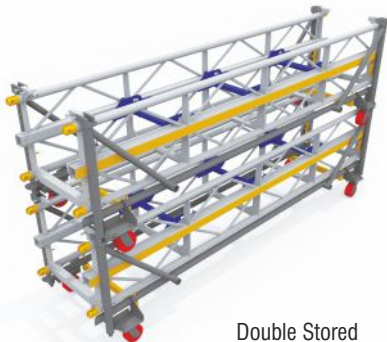
TSG TOURING



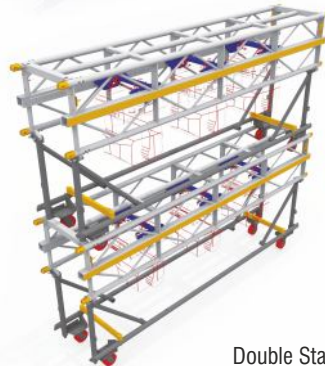
Single Stored



Single Stacked



Double Stored



Double Stacked

TML Truss is a highly mobile and versatile touring truss system used to house moving lights whilst maintaining the ability to transport and store compactly in both the truck and warehouse. The truss system.

Innovative features include:

- Ability to tour complete.
- Legs can be folded for both storage / transport / deployment.
- Truss can be stacked with legs folded in or out.
- Designed to house various moving light fixtures.
- Nylon side bars to help prevent transport damage.
- Integrated lighting rail with fully adjustable rolling carriages.
- The ability to house a light over a truss joint.

## Touring Products TML Truss

TSG TOURING

### Load Table

Span (metres)	3	6	9	12	15	18
<b>UDL kg</b>	1620	1540	1470	1390	1040	720
<b>UDL kN</b>	16.2	15.4	14.7	13.9	10.4	7.2
<b>CPL kg</b>	1620	1540	1070	730	520	360
<b>CPL kN</b>	16.2	15.4	10.7	7.3	5.2	3.6
<b>TPL kg</b>	1620	1540	1470	1070	750	520
<b>TPL kN</b>	16.2	15.4	14.7	10.7	7.5	5.2
<b>QPL kg</b>	1620	1540	1470	1100	780	540
<b>QPL kN</b>	16.2	15.4	14.7	11.0	7.8	5.4

Figures stated above are the total load on the truss for the specified spans

Third and Quarter point loads are displayed as a total load and NOT individual point loads.

- All loads are given in Kilograms
- Allowance has been made for self-weight of truss
- Allowance has been made for frequent use factor of 83%
- The payload of the truss has been calculated as a permanent action. Should it be necessary to consider the payload as a variable action, the tabulated figures should be reduced to 90% of the given values.

## Touring Products TML Truss

TSG TOURING

### Material Specifications

Main Cord:	48.4mm x 4.47mm
Braces:	Special Extrusion
Material Specifications:	EN AW-6082 T6
Fixings	Fork End : GP pins & R3 Clips

### Accessories

Circles
Angled Corners
Bespoke Lengths
Hinges and Swivels

### Item Codes, Weights and Dimensions

TML300-BL	TSG Moving Light truss 3.0Mt Section - Black	3048mm x 520mm x 609mm	121.5 kg
TML250-BL	TSG Moving Light truss 2.5Mt Section - Black	2548mm x 520mm x 609mm	109 kg
TML200-BL	TSG Moving Light truss 2.0Mt Section - Black	2048mm x 520mm x 609mm	97 kg
TML150-BL	TSG Moving Light truss 1.5Mt Section - Black	1548mm x 520mm x 609mm	84.5 kg
TML100-BL	TSG Moving Light truss 1.0Mt Section - Black	1048mm x 520mm x 609mm	72.5 kg
TML050-BL	TSG Moving Light truss 0.5Mt Section - Black (No Legs)	548mm x 520mm x 609mm	20.2 kg
TMLALB-BL	TSG Moving Light truss Adjustable Lamp Bar - Black	350mm x 480mm x 123mm	2.8 kg
TMLFLB-BL	TSG Moving Light truss Fixed Lamp Bar - Black	200mm x 480mm x 100mm	1.2 kg
TMLTPB	TSG Moving Light Truss Pick Up Beam	620mm x 230mm x 50mm	11.2 kg

### Design Specification

Manufactured in accordance with

BS EN 1090-3:2008 : Technical Requirements for aluminium structures

EN ISO 9001:2015 : Quality management systems

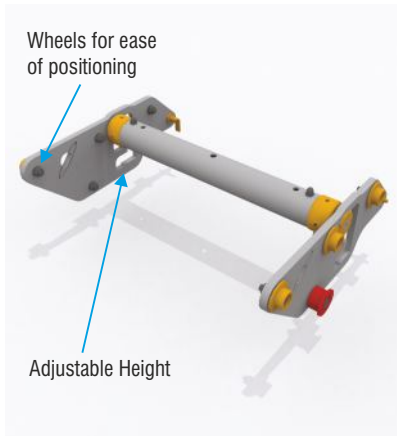
BS EN 1999 Pt 1-1 : Design of Aluminium Structures, General structural rules

EN17115: Entertainment Technology : Specifications for design, manufacture of aluminium and steel trusses and towers

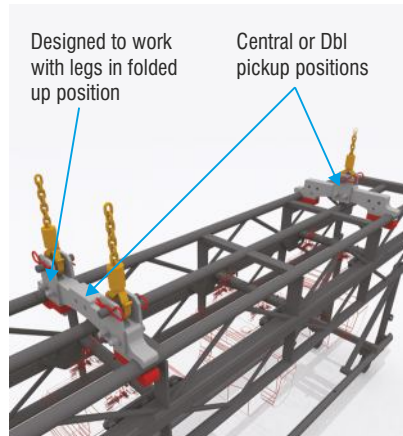
## Touring Products TML Truss

TSG TOURING

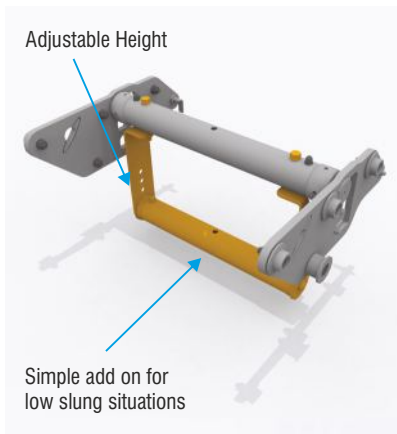
### TML Accessories



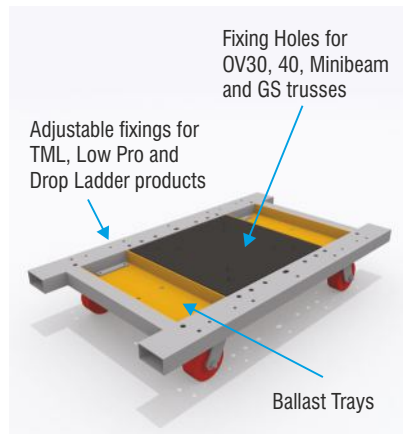
**Adjustable Lamp Bar**



**Pickup Brackets**



**Yoke**

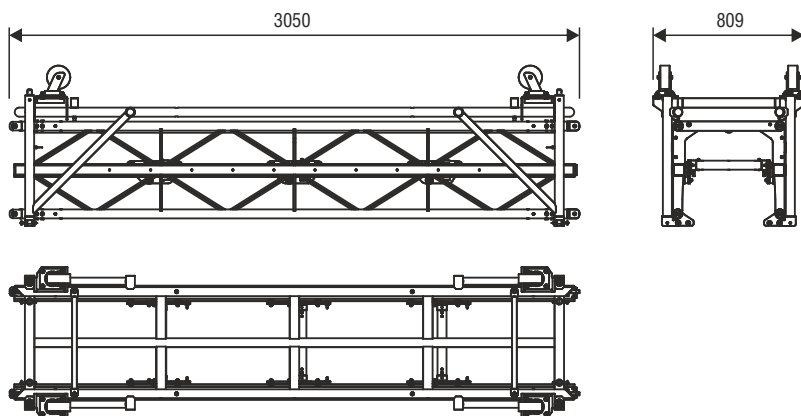


**Multi Purpose Base**

Touring Products  
TML Truss

TSG TOURING

Stored



Upright

