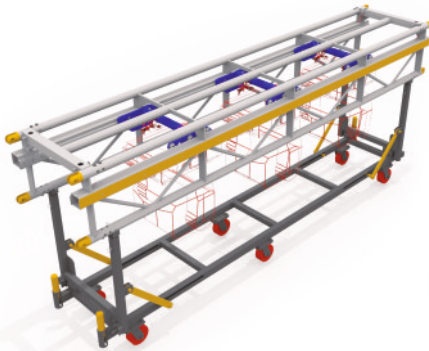
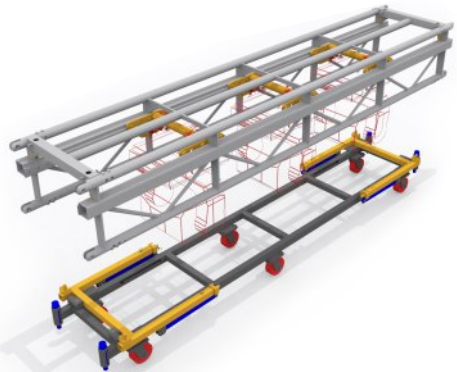


## Touring Products TML Low Pro Truss

TSG TOURING



Legs up with truss



Dolly and truss in air

TML Low Pro is a variation on the larger TML truss. It is a highly mobile and versatile touring truss system used to house moving lights whilst maintaining the ability to transport and store compactly in both the truck and warehouse, but specifically designed where headroom is at a premium.

Innovative features include:

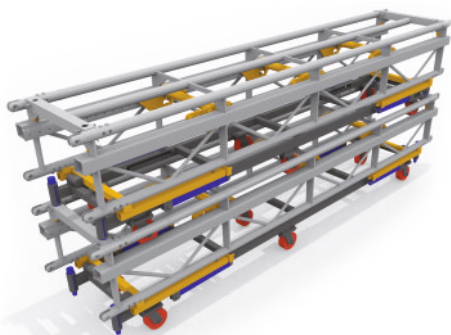
- Ability to tour complete.
- Collapsible dolly system, which are stackable.
- Dollies can be used as truss wheel boards.
- Truss can be stacked with or without dolly.
- Designed to house various moving light fixtures.
- Nylon side bars to help prevent transport damage.
- Integrated lighting rail with fully adjustable rolling carriages.
- The ability to house a light over a truss joint.

## Touring Products TML Low Pro Truss

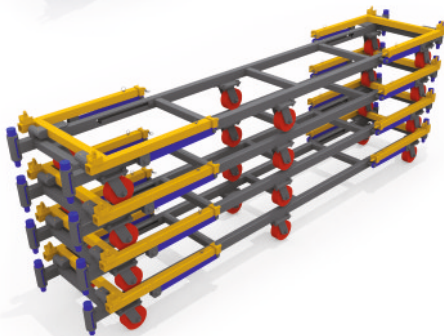
TSG TOURING



Dolly and truss on ground



Dolly and truss on ground double



Dolly on ground quad

## Touring Products TML Low Pro Truss

TSG TOURING

### Load Table

| Span<br>(metres) | 3    | 6    | 9    | 12   | 15  | 18  |
|------------------|------|------|------|------|-----|-----|
| <b>UDL kg</b>    | 1420 | 1340 | 1270 | 1120 | 760 | 490 |
| <b>UDL kN</b>    | 14.2 | 13.4 | 12.7 | 11.2 | 7.6 | 4.9 |
| <b>CPL kg</b>    | 1200 | 1120 | 840  | 560  | 380 | 240 |
| <b>CPL kN</b>    | 12.0 | 11.2 | 8.4  | 5.6  | 3.8 | 2.4 |
| <b>TPL kg</b>    | 1200 | 1120 | 1050 | 840  | 570 | 370 |
| <b>TPL kN</b>    | 12.0 | 11.2 | 10.5 | 8.4  | 5.7 | 3.7 |
| <b>QPL kg</b>    | 1200 | 1120 | 1050 | 880  | 600 | 400 |
| <b>QPL kN</b>    | 12.0 | 11.2 | 10.5 | 8.8  | 6.0 | 4.0 |

Figures stated above are the total load on the truss for the specified spans

- All loads are given in Kilograms
- Allowance has been made for self-weight of truss
- Allowance has been made for frequent use factor of 83%
- The payload of the truss has been calculated as a permanent action. Should it be necessary to consider the payload as a variable action, the tabulated figures should be reduced to 90% of the given values.

## Touring Products TML Low Pro Truss

TSG TOURING

### Material Specifications

|                          |                               |
|--------------------------|-------------------------------|
| Main Cord:               | 48.4mm x 4.47mm               |
| Braces:                  | Special Extrusion             |
| Material Specifications: | EN AW-6082 T6                 |
| Fixings                  | Fork End : GP pins & R3 Clips |

### Accessories

Circles  
Angled Corners  
Bespoke Lengths  
Hinges and Swivels

### Item Codes, Weights and Dimensions

|                |  |                        |         |
|----------------|--|------------------------|---------|
| TMLLP300-BL    | TSG Moving Light truss 3.0Mt Section - Black           | 3048mm x 520mm x 609mm | 63 kg   |
| TMLLP250-BL    | TSG Moving Light truss 2.5Mt Section - Black           | 2548mm x 520mm x 609mm | 55 kg   |
| TMLLP200-BL    | TSG Moving Light truss 2.0Mt Section - Black           | 2048mm x 520mm x 609mm | 47 kg   |
| TMLLP150-BL    | TSG Moving Light truss 1.5Mt Section - Black           | 1548mm x 520mm x 609mm | 39 kg   |
| TMLLP100-BL    | TSG Moving Light truss 1.0Mt Section - Black           | 1048mm x 520mm x 609mm | 31 kg   |
| TMLLP050-BL    | TSG Moving Light truss 0.5Mt Section - Black (No Legs) | 548mm x 520mm x 609mm  | 23 kg   |
| TMLLP300-DO-BL | TSG Moving Light truss 3.0Mt Section - Black           | 3048mm x 520mm x 609mm | 50 kg   |
| TMLLP250-DO-BL | TSG Moving Light truss 2.5Mt Section - Black           | 2548mm x 520mm x 609mm | 45 kg   |
| TMLLP200-DO-BL | TSG Moving Light truss 2.0Mt Section - Black           | 2048mm x 520mm x 609mm | 40 kg   |
| TMLALB-BL      | TSG Moving Light truss Adjustable Lamp Bar - Black     | 350mm x 480mm x 123mm  | 2.8 kg  |
| TMLFLB-BL      | TSG Moving Light truss Fixed Lamp Bar - Black          | 200mm x 480mm x 100mm  | 1.2 kg  |
| TMLTPB         | TSG Moving Light Truss Pick Up Beam                    | 620mm x 230mm x 50mm   | 11.2 kg |

### Design Specification

Manufactured in accordance with

BS EN 1090-3:2008 : Technical Requirements for aluminium structures

EN ISO 9001:2015 : Quality management systems

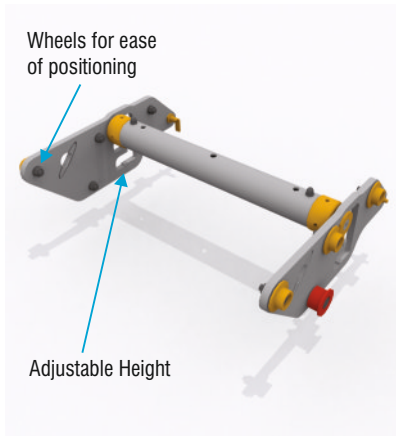
BS EN 1999 Pt 1-1 : Design of Aluminium Structures, General structural rules

EN17115: Entertainment Technology : Specifications for design, manufacture of aluminium and steel trusses and towers

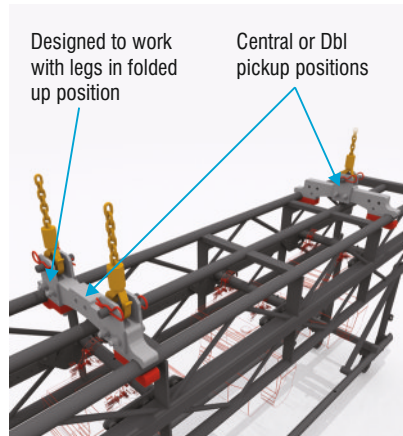
## Touring Products TML Low Pro Truss

TSG TOURING

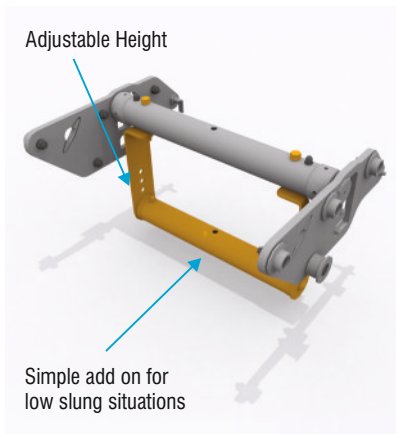
### TML Accessories



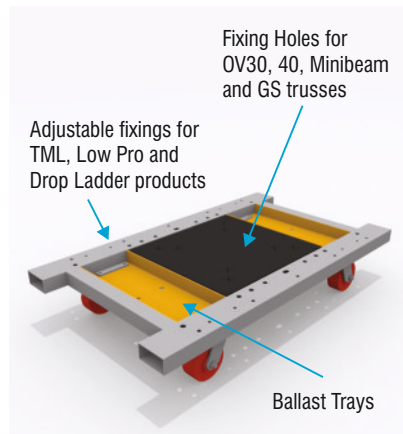
**Adjustable Lamp Bar**



**Pickup Brackets**



**Yoke**



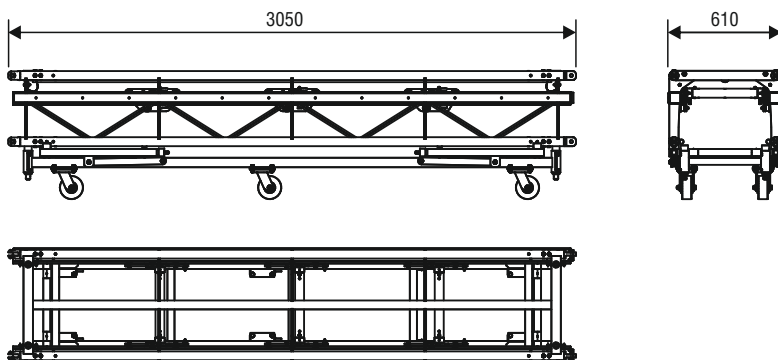
**Multi Purpose Base**

# Touring Products

## TML Low Pro Truss

TSG TOURING

Stored



Upright

