

## Touring Products TML Low Pro Truss

TSG TOURING



Legs up with truss



Dolly and truss in air

TML Low Pro is a variation on the larger TML truss. It is a highly mobile and versatile touring truss system used to house moving lights whilst maintaining the ability to transport and store compactly in both the truck and warehouse, but specifically designed where headroom is at a premium.

Innovative features include:

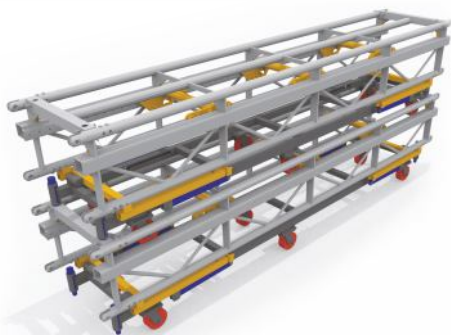
- Ability to tour complete.
- Collapsible dolly system, which are stackable.
- Dollies can be used as truss wheel boards.
- Truss can be stacked with or without dolly.
- Designed to house various moving light fixtures.
- Nylon side bars to help prevent transport damage.
- Integrated lighting rail with fully adjustable rolling carriages.
- The ability to house a light over a truss joint.

## Touring Products TML Low Pro Truss

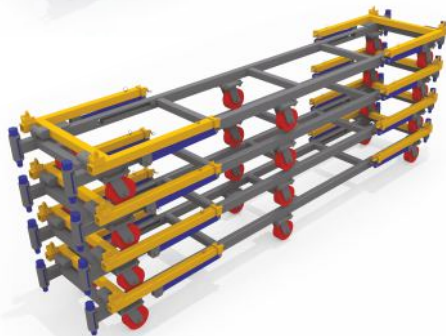
TSG TOURING



Dolly and truss on ground



Dolly and truss on ground double



Dolly on ground quad

## Touring Products TML Low Pro Truss

TSG TOURING

### Load Table

Span (metres)	3	6	9	12	15	18
<b>UDL kg</b>	1420	1340	1270	1120	760	490
<b>UDL kN</b>	14.2	13.4	12.7	11.2	7.6	4.9
<b>CPL kg</b>	1200	1120	840	560	380	240
<b>CPL kN</b>	12.0	11.2	8.4	5.6	3.8	2.4
<b>TPL kg</b>	1200	1120	1050	840	570	370
<b>TPL kN</b>	12.0	11.2	10.5	8.4	5.7	3.7
<b>QPL kg</b>	1200	1120	1050	880	600	400
<b>QPL kN</b>	12.0	11.2	10.5	8.8	6.0	4.0

Figures stated above are the total load on the truss for the specified spans

Third and Quarter point loads are displayed as a total load and NOT individual point loads.

- All loads are given in Kilograms
- Allowance has been made for self-weight of truss
- Allowance has been made for frequent use factor of 83%
- The payload of the truss has been calculated as a permanent action. Should it be necessary to consider the payload as a variable action, the tabulated figures should be reduced to 90% of the given values.

## Touring Products TML Low Pro Truss

TSG TOURING

### Material Specifications

Main Cord:	48.4mm x 4.47mm
Braces:	Special Extrusion
Material Specifications:	EN AW-6082 T6
Fixings	Fork End : GP pins & R3 Clips

### Accessories

Circles
Angled Corners
Bespoke Lengths
Hinges and Swivels

### Item Codes, Weights and Dimensions

TMLLP300-BL	TSG Moving Light truss 3.0Mt Section - Black	3048mm x 520mm x 609mm	63 kg
TMLLP250-BL	TSG Moving Light truss 2.5Mt Section - Black	2548mm x 520mm x 609mm	55 kg
TMLLP200-BL	TSG Moving Light truss 2.0Mt Section - Black	2048mm x 520mm x 609mm	47 kg
TMLLP150-BL	TSG Moving Light truss 1.5Mt Section - Black	1548mm x 520mm x 609mm	39 kg
TMLLP100-BL	TSG Moving Light truss 1.0Mt Section - Black	1048mm x 520mm x 609mm	31 kg
TMLLP050-BL	TSG Moving Light truss 0.5Mt Section - Black (No Legs)	548mm x 520mm x 609mm	23 kg
TMLLP300-DO-BL	TSG Moving Light truss 3.0Mt Section - Black	3048mm x 520mm x 609mm	50 kg
TMLLP250-DO-BL	TSG Moving Light truss 2.5Mt Section - Black	2548mm x 520mm x 609mm	45 kg
TMLLP200-DO-BL	TSG Moving Light truss 2.0Mt Section - Black	2048mm x 520mm x 609mm	40 kg
TMLALB-BL	TSG Moving Light truss Adjustable Lamp Bar - Black	350mm x 480mm x 123mm	2.8 kg
TMLFLB-BL	TSG Moving Light truss Fixed Lamp Bar - Black	200mm x 480mm x 100mm	1.2 kg
TMLTPB	TSG Moving Light Truss Pick Up Beam	620mm x 230mm x 50mm	11.2 kg

### Design Specification

Manufactured in accordance with

BS EN 1090-3:2008 : Technical Requirements for aluminium structures

EN ISO 9001:2015 : Quality management systems

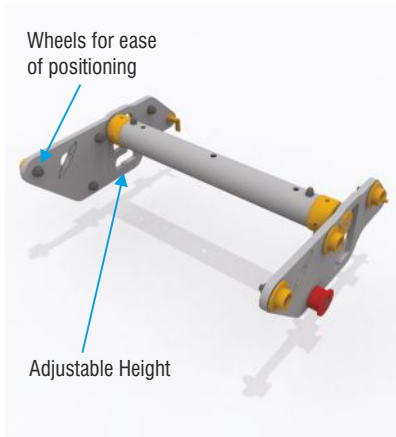
BS EN 1999 Pt 1-1 : Design of Aluminium Structures, General structural rules

EN17115: Entertainment Technology : Specifications for design, manufacture of aluminium and steel trusses and towers

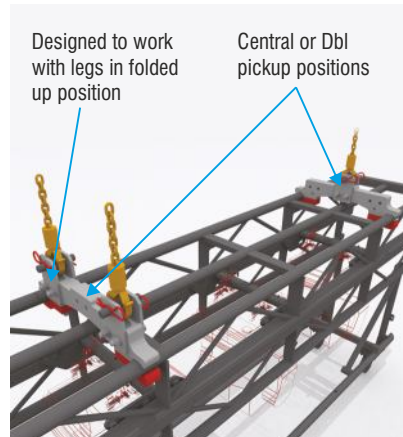
## Touring Products TML Low Pro Truss

TSG TOURING

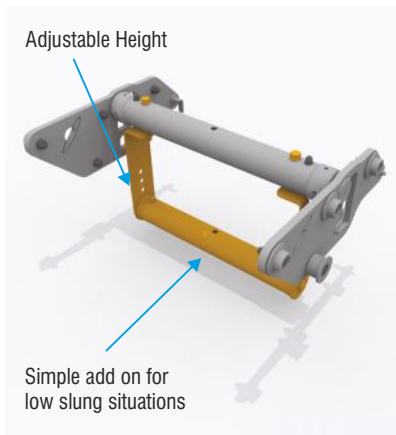
### TML Accessories



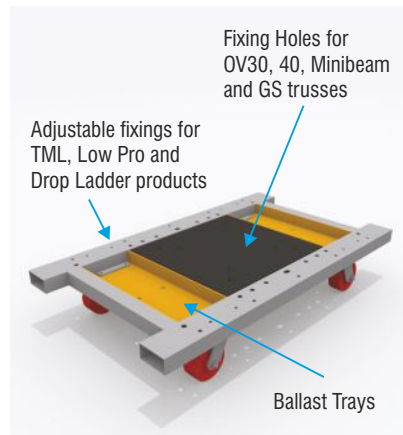
**Adjustable Lamp Bar**



**Pickup Brackets**



**Yoke**

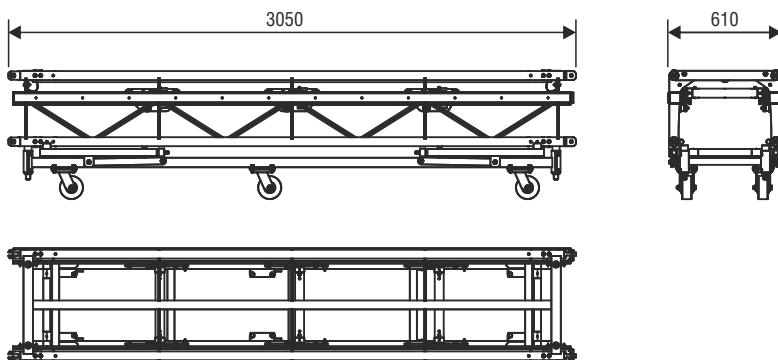


**Multi Purpose Base**

# Touring Products TML Low Pro Truss

TSG TOURING

Stored



Upright

